

DATASHEET	Pages : 3 Reference : 010025L
DIGIREP®_SINGLEBAND	Application date : 02/07/2015

❖ **General description :**

The Selecom **Digirep® singleband** assures the coverage of radio cellular in the places or the infrastructures insufficiently covered (indoor or outdoor).

Its design and ease of implementation allows operation quality mobile or mobile phones used near the radio equipment without risk of saturation.

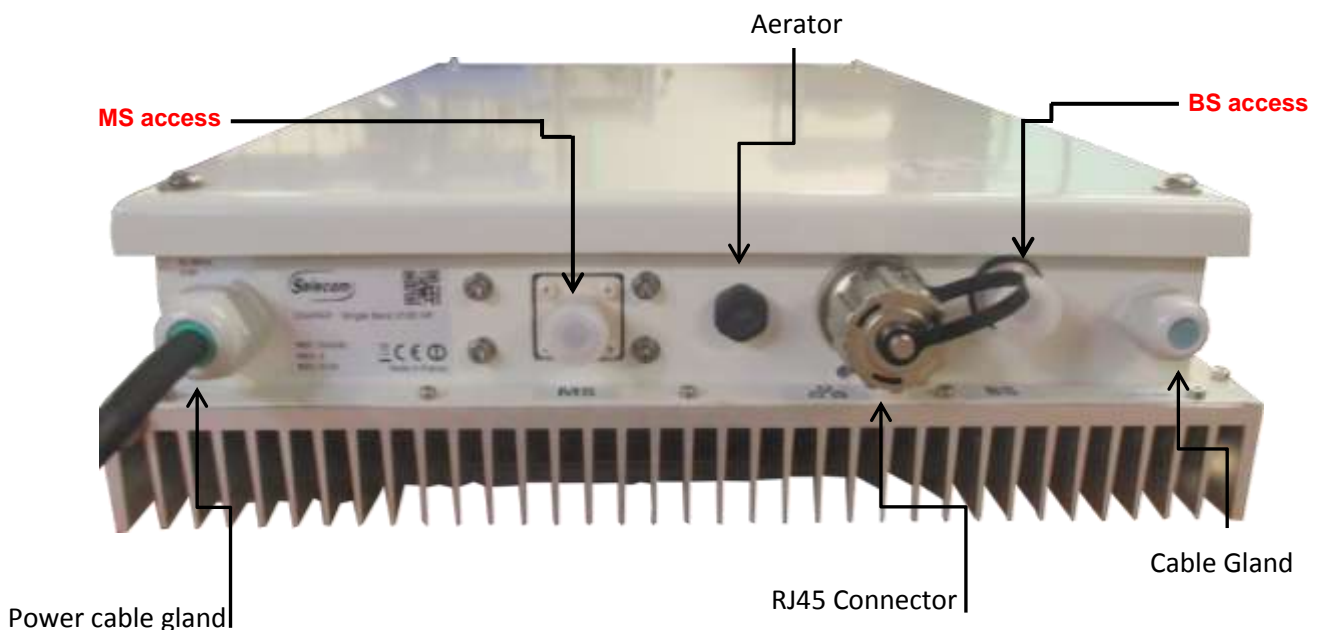
Digirep® is a last smart Selecom repeater, designed for an easy commissioning thanks to the automatic power setting. The remote control allows every configuration change of the equipment (frequencies, powers, filters...).



❖ RF Features		800	900	1800	2100	2600
Frequency band	Down-Link (TX) MHz	791~821	925~960	1805~1880	2110~2170	2620~2690
	Up-Link (RX) MHz	832~862	880~915	1710~1785	1920~1980	2500~2570
Nominal output composite power DL		≥ +36 dBm	≥ +34 dBm		≥ +36 dBm	
Nominal output composite power UL		≥ +20 dBm				
Gain (dB)		Adjustable from 60 to 90				
Frequency adjustment		From 200 KHz to full band				
Bandwith		< ± 1 dB Typical - < ± 2 dB max				
Noise factor	Up-Link (RX)	≤ 4 dB @ Max gain			≤ 9 dB @ Min gain	
	Down-Link (TX)	≤ 6 dB @ Max gain			≤ 12 dB @ Min gain	
Selectivity		40 dB @ ± 400 KHz 50 dB @ ± 600 KHz 55 dB @ ± 1 MHz				
Intermodulation		≤ -36 dBm @ ≤ 1 GHz ≤ -30 dBm @ > 1 GHz				
Absolute group delay		≤ 5 µs				
Monitoring		IP RJ45 Access (x1) / 2G_3G_4G Modem / SNMP Compliant				
Max input level on BS and MS		-20 dBm without degradation of specifications and conformity to standards / +0dBm without damage				
Conformity		3GPP Compliant				

✚ SUB BAND FILTERING						
❖ Features		800 MHz	900 MHz	1800 MHz	2100 MHz	2600 MHz
Number of filters		12				
For each filter	Adjustable Bandwidth	From 100 kHz to 30 MHz	From 200 kHz to 35 MHz	From 200 kHz to 75 MHz	From 100 kHz to 60 MHz	From 100 kHz to 70 MHz
	Adjustable Central frequency	From f_0 to $f_0 + 15$ MHz	From f_0 to $f_0 + 17.5$ MHz	From f_0 to $f_0 + 35$ MHz	From f_0 to $f_0 + 30$ MHz	From f_0 to $f_0 + 35$ MHz
	Adjustable Attenuations	de 0 dB à 30 dB				

✚ BOX	
❖ Electrical Features	
Voltage	230 Vac ou 48 Vdc
Power issued	120 W
Efficiency	86%
❖ Interface	
Connector	N-Female
❖ Mechanical Features	
Dimensions except fixations (L x H x D)	350 X 550 X 102 mm
Weight	13 Kg
Cooling	Natural convection
Protection class	IP65
Operating temperature	Between -20°C and 50°C



Plan of Servitudes:

